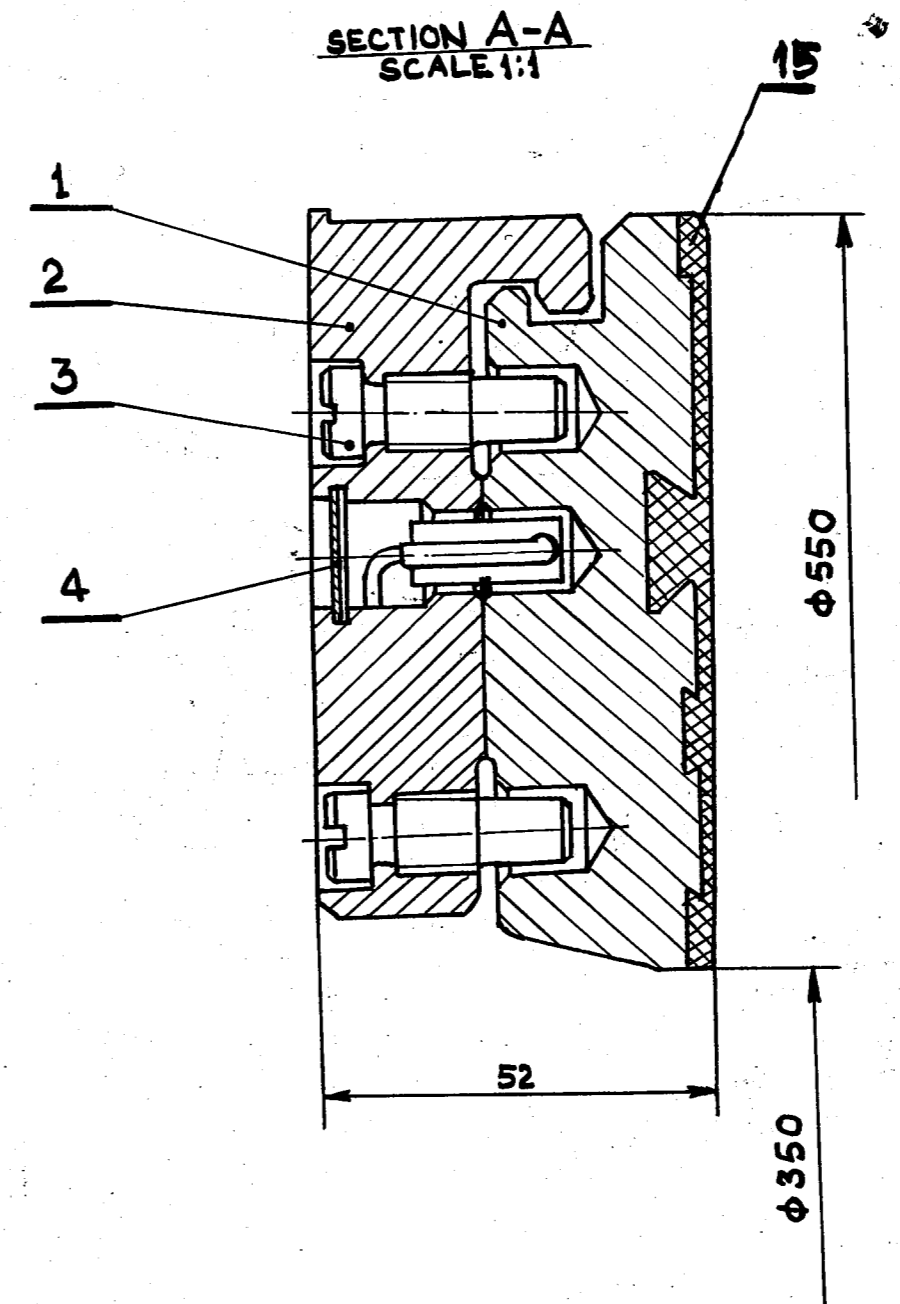
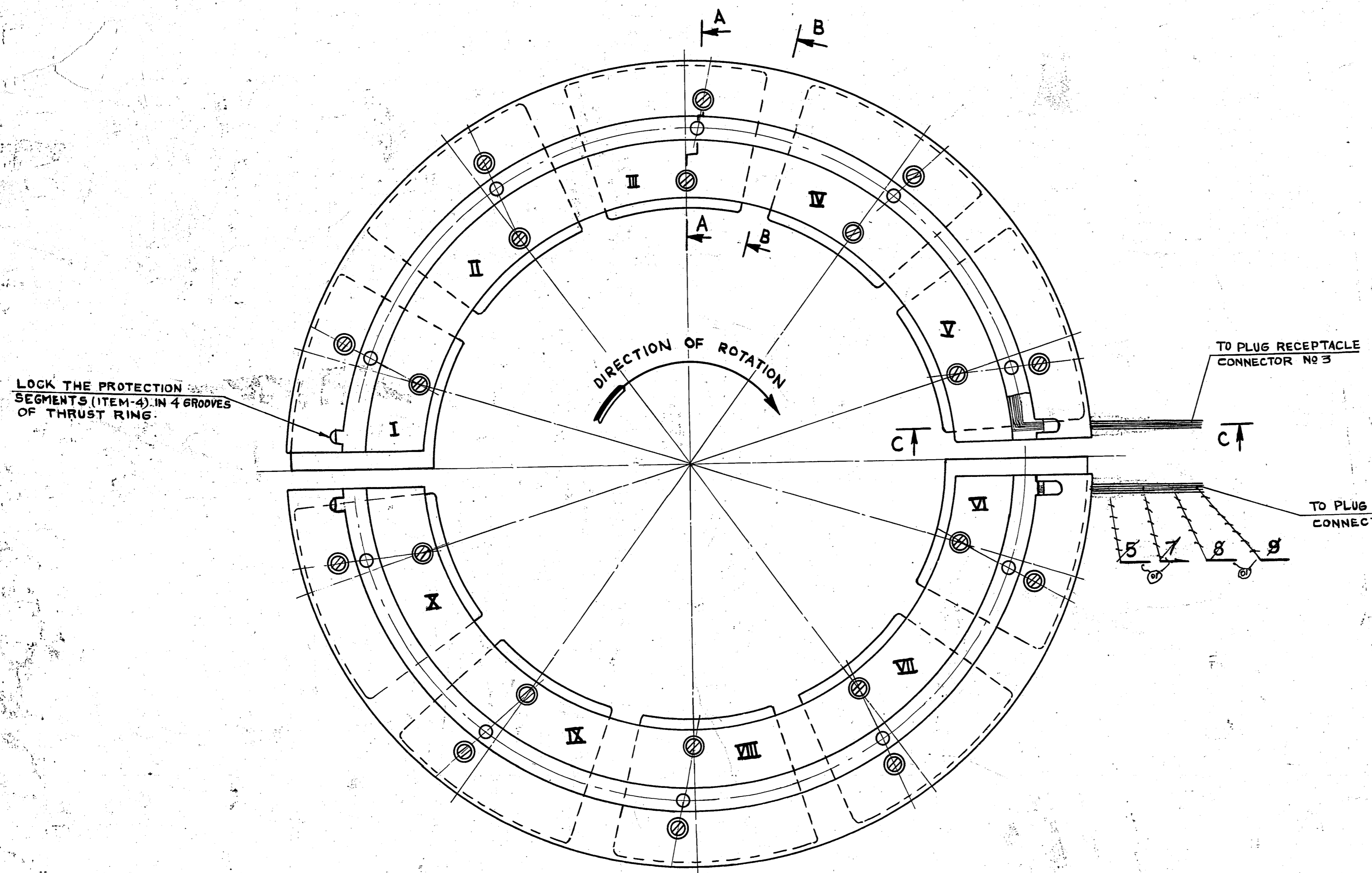
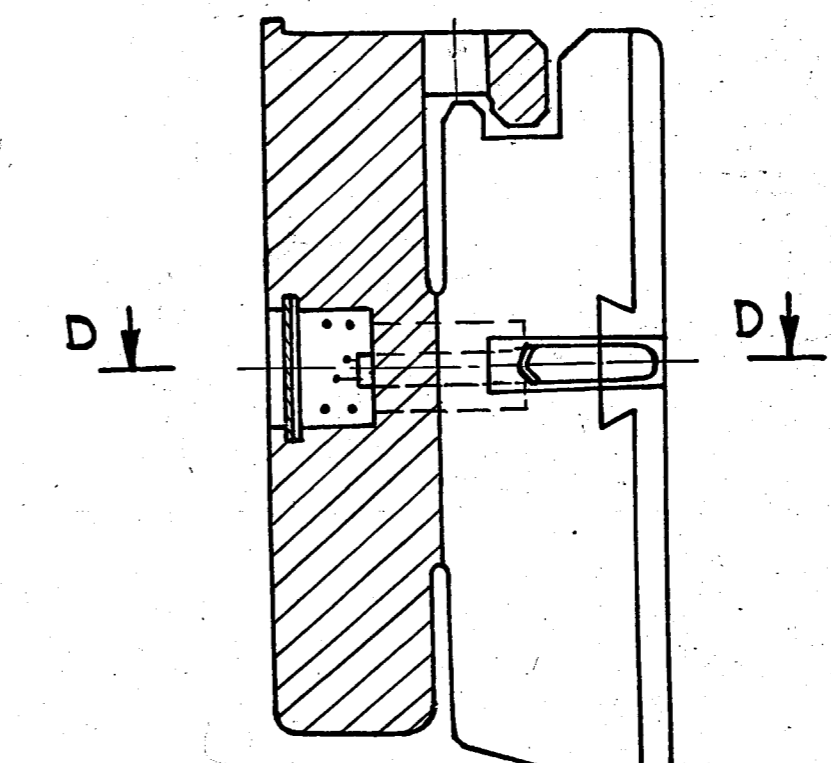


32404040

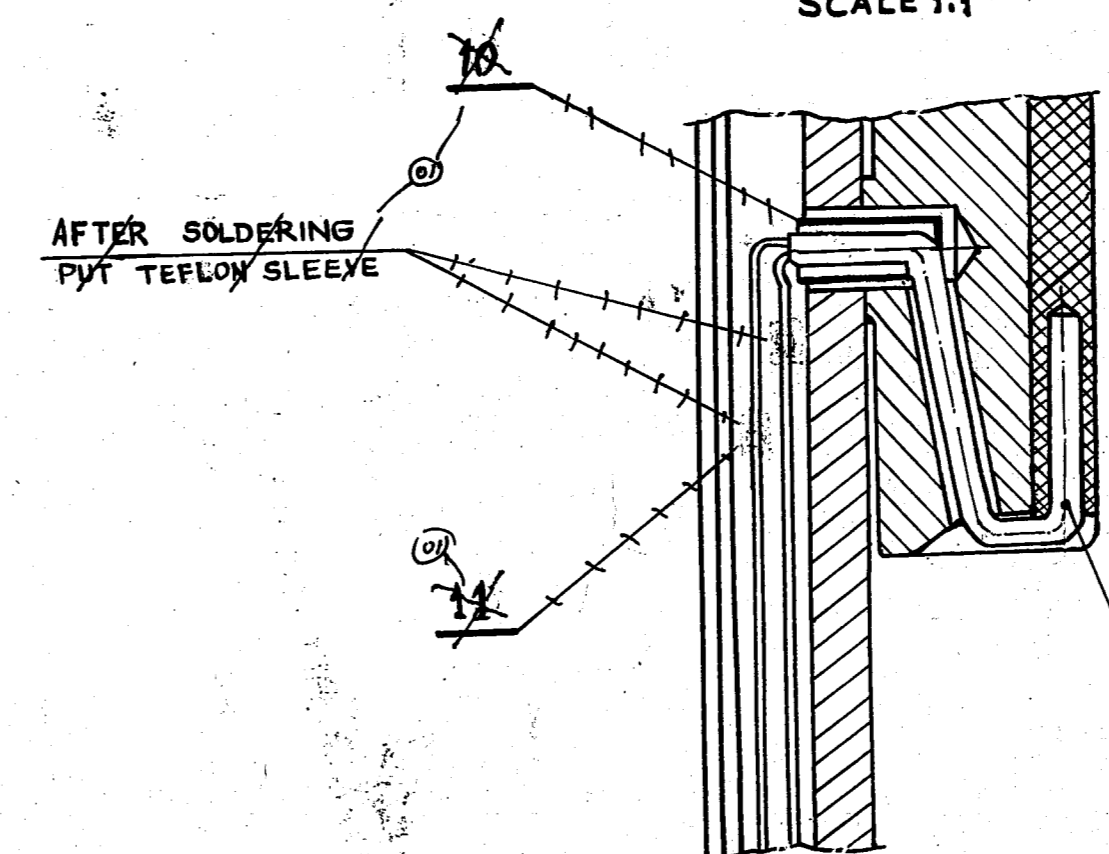
FIRST ANGLE PROJECTION



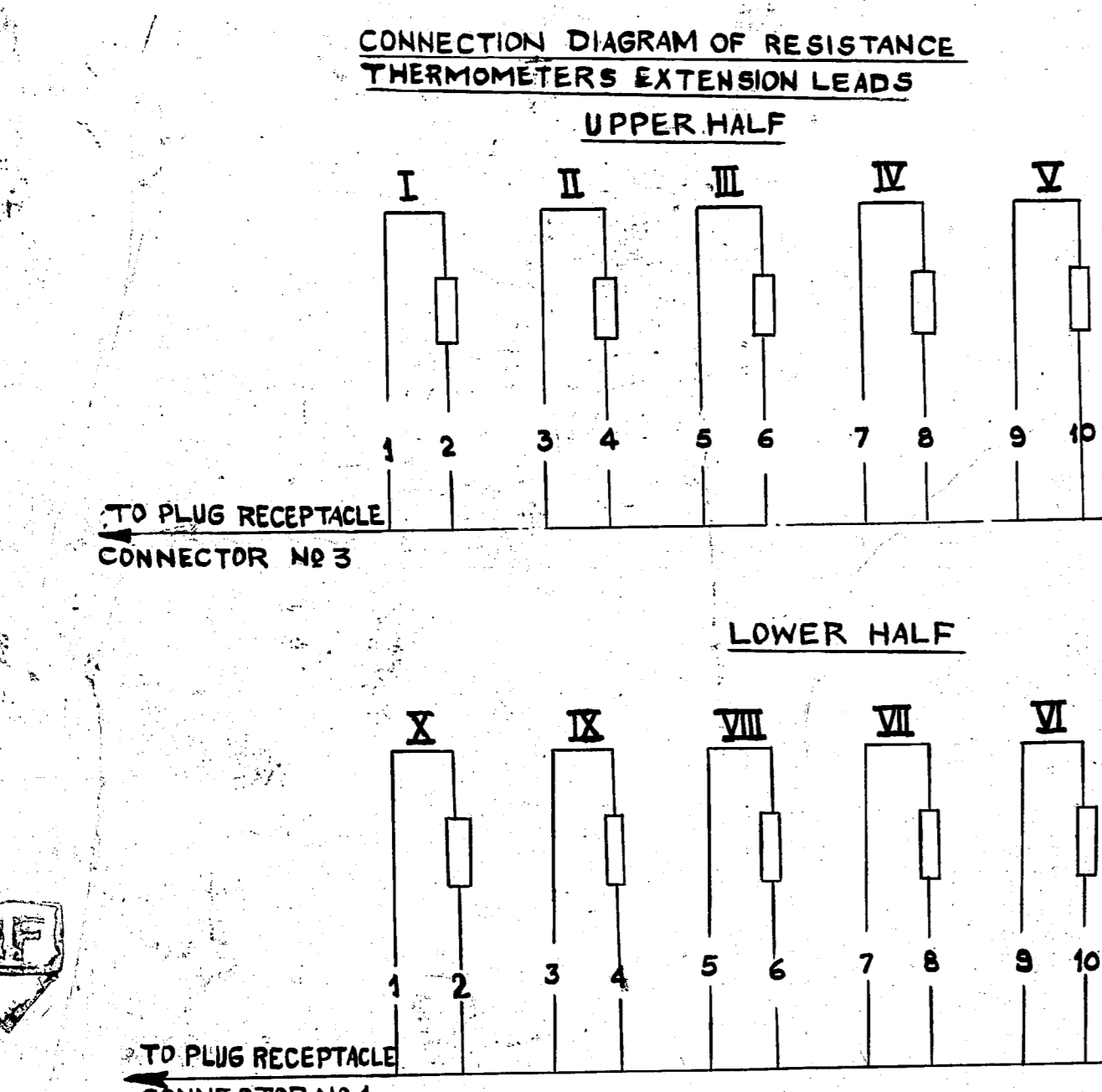
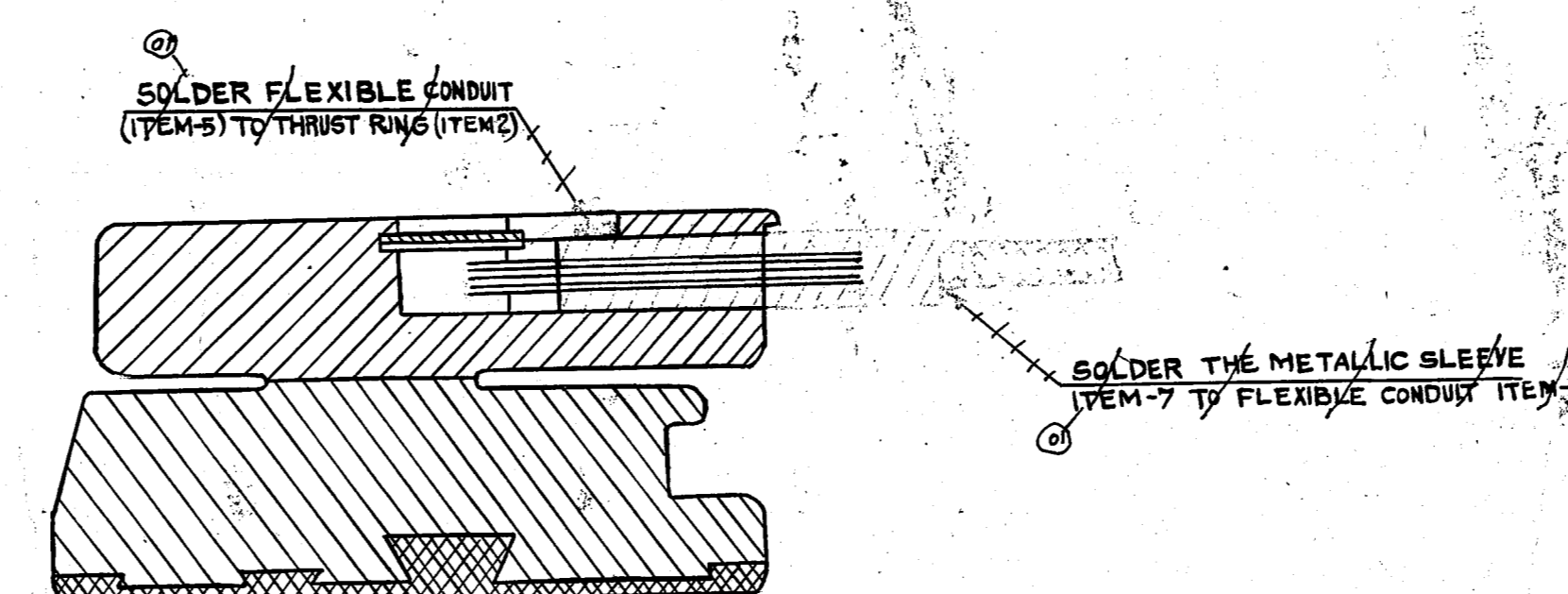
SECTION B-B SCALE 1:1



SECTION D-D SCALE 1:1



SECTION C-C SCALE 1:1



- TECHNICAL REQUIREMENTS:-**
1. OUT OF 11 PADS ONE PAD IS SPARE FOR ANY REJECTION DURING PRODUCTION.
 2. PADS SHALL BE GIVEN SERIAL NUMBERS STARTING FROM HORIZONTAL JOINT IN THE DIRECTION OF ROTATION.
 3. FIX THE THERMOMETERS IN THE PADS WITH ARYLITE.
 4. LENGTH OF THE CORDS OF THERMOMETERS SHALL BE DECIDED AT SITE.

NOTE:- ITEM NO.16 TO BE USED IN PLACE OF ITEM NO.6 FOR ALL SETS AFTER SET NO.49 i.e. METTUR-T OWNWARDS. FOR SET NO.49 AND EARLIER SETS ITEM NO.6 HOLDS GOOD.

ZONE	ITEM NO.	DESIGNATION	DESCRIPTION	QTY	WT.	MATERIAL	REMARKS
A2	16	AA7322622	PRTD CYL D4 L25 SIMPLEX 1800	12	0.03	0.36	TYPE PRT.03 AA7322622
A1	15		BABBIT		3.0	3.0	BABBIT 6814:25-61 5-63605T130-55
	14	32404045 1232618	BLANK FOR 11 SURGE - PADS	1	32	32	BLANK FOR 11 SURGE - PADS
	13		ARYLITE		0.025	0.275	ARYLITE
	12		SOLDER		0.08	0.08	SOLDER
A2	11		TEFLON SLEEVE I.D.=3 O.D.=4	0.04	0.008	0.004	TEFLON SLEEVE I.D.=3 O.D.=4
A2	10		TEFLON SLEEVE I.D.=6 O.D.=8	1M	0.01	0.01	TEFLON SLEEVE I.D.=6 O.D.=8
B2	9		TEFLON INSULATED FLEXIBLE COPPER CONDUCTOR 3.0x0.35mm	3M	0.24	0.24	TEFLON INSULATED FLEXIBLE COPPER CONDUCTOR 3.0x0.35mm
B2	8		GLASS TAPE	3M	0.02	0.02	GLASS TAPE
B2	7		METALLIC SLEEVE 10/16	1.4M	0.9	0.9	METALLIC SLEEVE 10/16
A1	6	TCM-148	COPPER RESISTANCE THERMOMETER TYPE CRT-05	12	0.03	0.36	COPPER RESISTANCE THERMOMETER TYPE CRT-05
B2	5	32404026 4184027	FLEXIBLE STEEL CONDUIT PIPE Dnom=12	2	0.036	0.072	FLEXIBLE STEEL CONDUIT PIPE Dnom=12
B2	4	32404024 1232613	PROTECTION RING SEGMENT	6	0.034	0.204	PROTECTION RING SEGMENT
B2	3	32404023 1216016	SPECIAL SCREW	20	0.028	0.560	SPECIAL SCREW
B2	2	32404042 1232617	THRUST RING FOR SURGE PADS IN TWO HALVES	1	24.88	24.88	THRUST RING FOR SURGE PADS IN TWO HALVES
B2	1	32404041 1232616	SURGE PAD	10	3.0	30.0	SURGE PAD
				PERM TOTAL			
							C-200-130 32404000 SP
							THRUST RING WITH SURGE PADS
							LETTER WT. SCALE
							A B 60.3 1:2
							SHEET-1 SHEETS-1
							HEEP STD
							SIZE 24

INVENTORY NO. SIGN. & DATE SUPPLIER'S INVENTORY SIGN. & DATE USER GR. ASSY. 118303-6

32404040